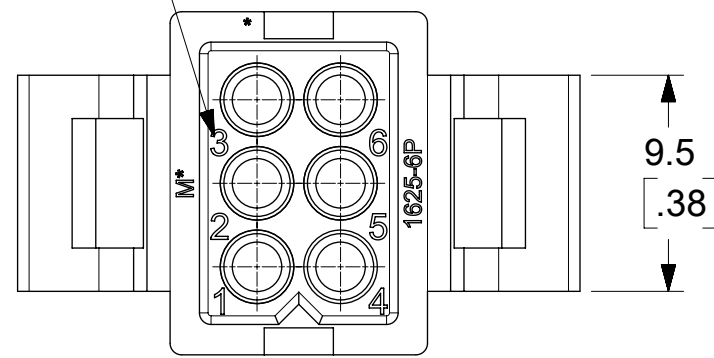
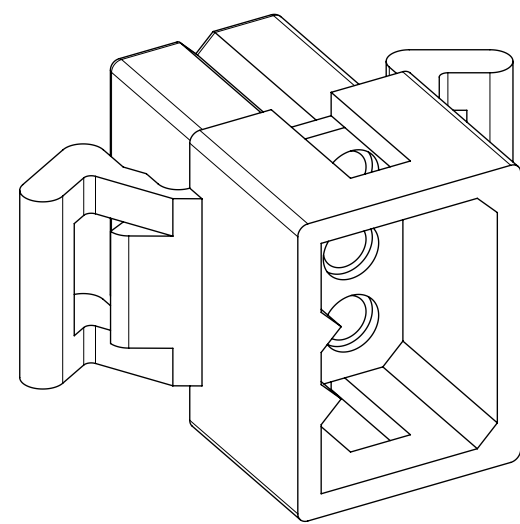
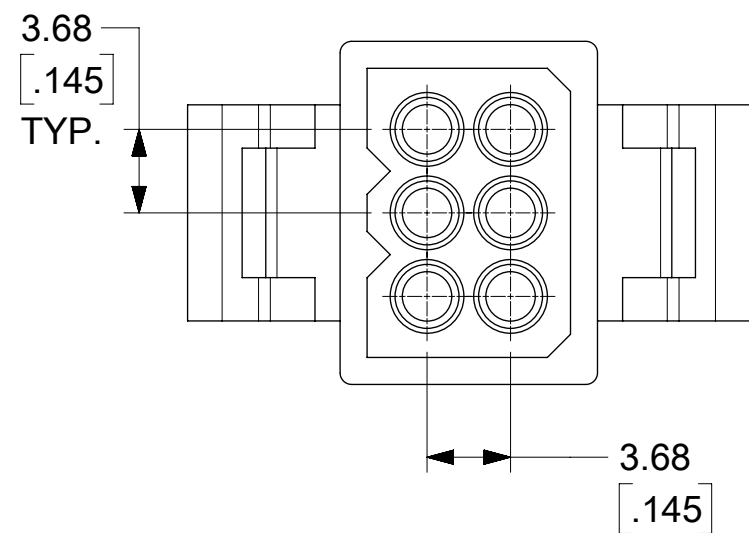
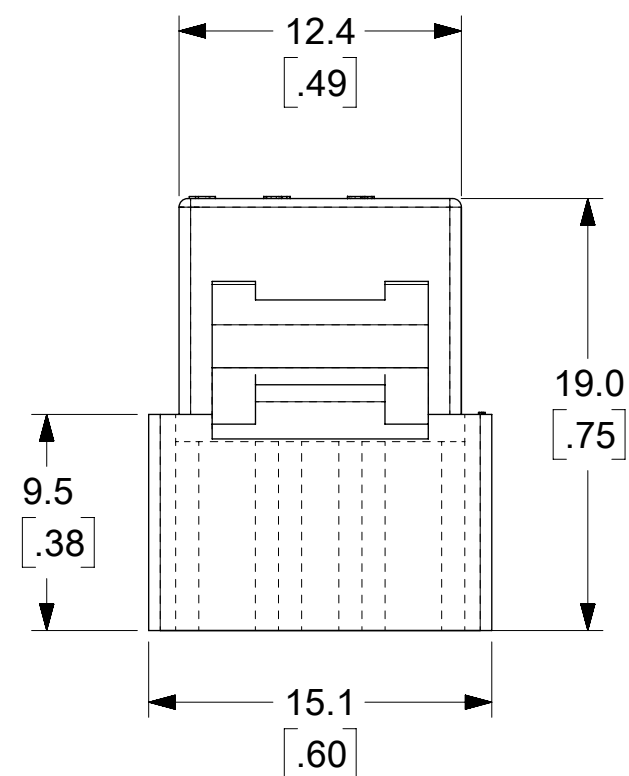
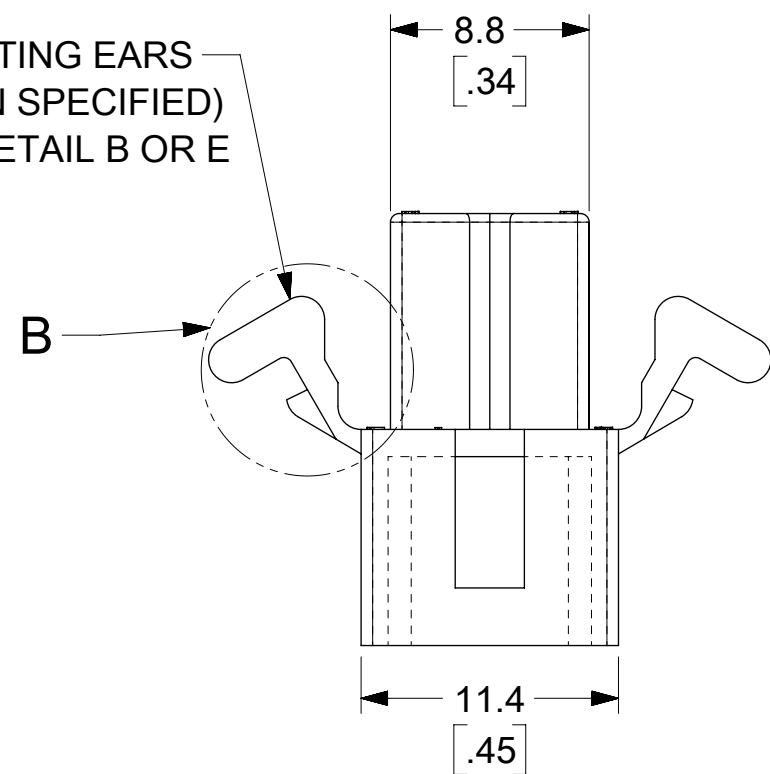


PLUG

CIRCUIT NUMBERS
(6 PL.)



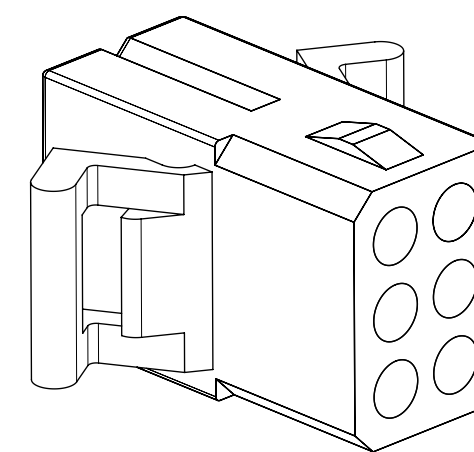
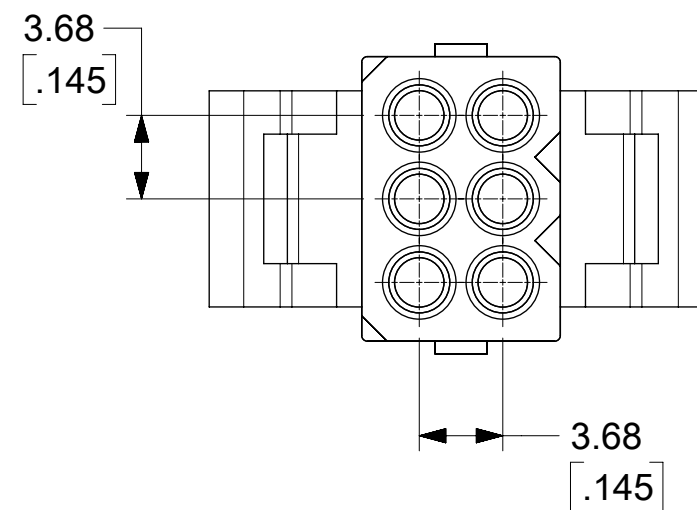
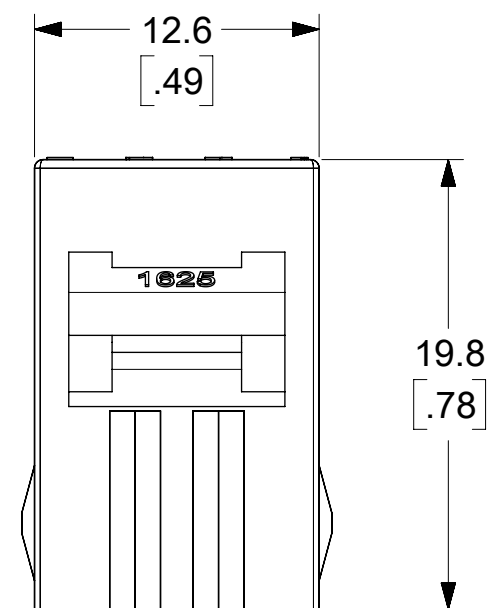
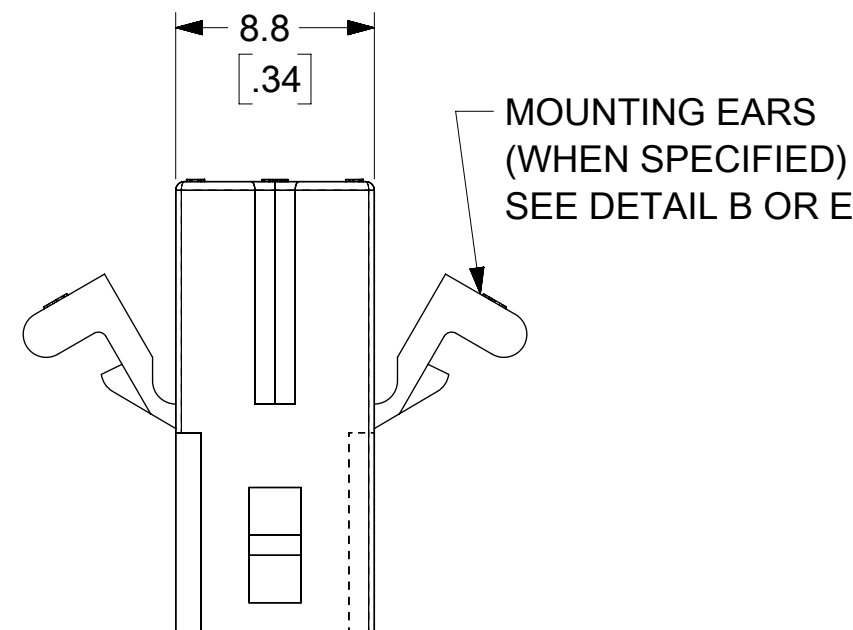
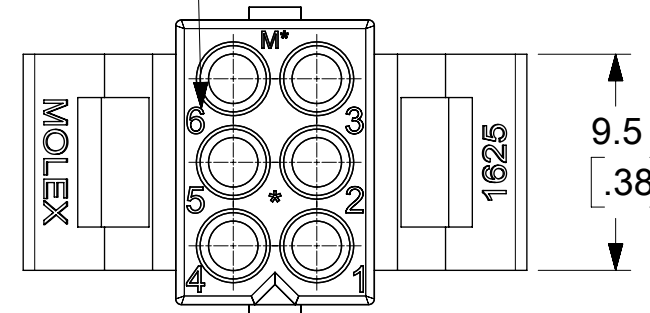
MOUNTING EARS
(WHEN SPECIFIED)
SEE DETAIL B OR E



PLUG
SHOWN WITH PREBENT EAR

RECEPTACLE

CIRCUIT NUMBERS
(6 PL.)

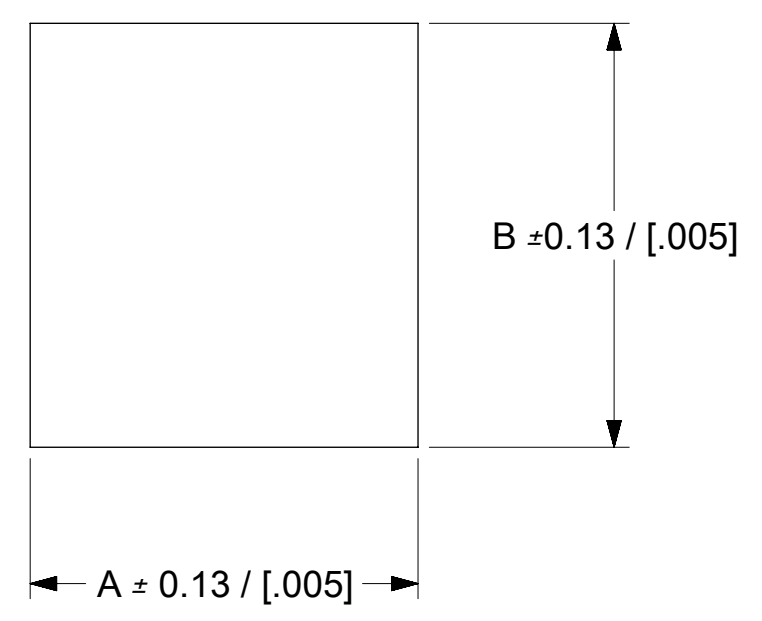
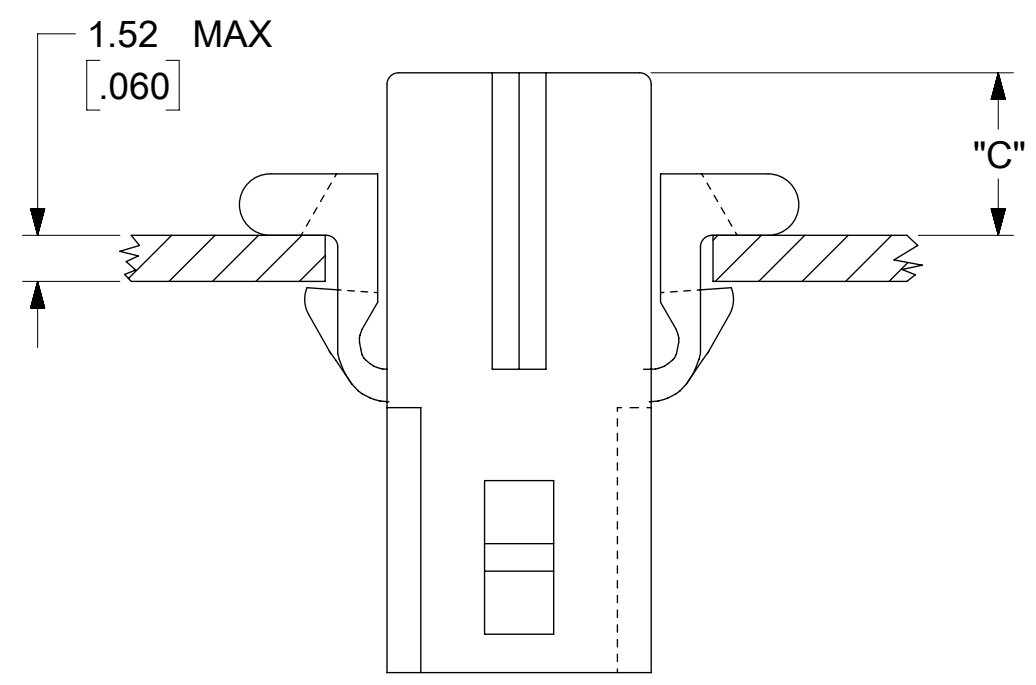


RECEPTACLE
SHOWN WITH PREBENT EARS

| | | | | | | | | | | |
|---|--|---------------------------------------|--|-----------------|---|--|--|--|--|--|
| THIS DRAWING CONTAINS INFORMATION THAT IS PROPRIETARY TO MOLEX ELECTRONIC TECHNOLOGIES, LLC AND SHOULD NOT BE USED WITHOUT WRITTEN PERMISSION | | | | | | | | | | |
| QUALITY SYMBOLS | REMOVE STANDARD EAR EC NO: 167621 DRWN: MKIPPER CHKD: JBELL REV APPR: FSMITH | GENERAL TOLERANCES (UNLESS SPECIFIED) | | DIMENSION UNITS | SCALE | | | | | |
| | | MM | INCH | MM/IN | 3:1 | | | | | |
| ▽ = 0 | A2 2017/11/03 2018/01/17 2018/01/24 | 4 PLACES | ± | ± | DRWN BY | DATE | .062/(1.57) HSG PLUG & RECEPTACLE 6 CKT .145/(3.683) C.L. | | | |
| ▽ = 0 | | 3 PLACES | ± | ± 0.005 | BAPPELDORN | 2016/07/13 | | | | |
| ▽ = 0 | | 2 PLACES | ± 0.13 | ± 0.01 | CHK'D BY | DATE | PRODUCT CUSTOMER DRAWING | | | |
| ▼ = 0 | | 1 PLACES | ± 0.25 | ± | MKIPPER | 2016/07/13 | | | | |
| ▽ = 0 | | 0 PLACES | ± | ± | APPR BY | DATE | PRODUCT CUSTOMER DRAWING | | | |
| ☒ = 0 | | ANGULAR TOL = 0.5 | DRAFT WHERE APPLICABLE MUST REMAIN WITHIN DIMENSIONS | | FSMITH | 2016/07/13 | | | | |
| ■ = 0 | DRAWING SIZE | | THIRD ANGLE PROJECTION | C | | SERIES: 1625 MATERIAL NUMBER: SEE CHART CUSTOMER: GENERAL MARKET | | | | |
| ▽ = 0 | C | | | | DOCUMENT NUMBER: 16250600-SD DOC TYPE: PSD DOC PART: 000 SHEET NUMBER: 1 OF 2 | | | | | |

| PLUG | |
|------------|------------|
| ORDER NO | ENG NO |
| 03-06-2061 | 1625-6P1 |
| 03-06-7061 | 1625-6P1BK |
| 46999-0804 | 1625-6P2 |

| RECEPTACLE | |
|------------|------------|
| ORDER NO | ENG NO |
| 03-06-1062 | 1625-6R1 |
| 03-06-6062 | 1625-6R1BK |
| 46999-0805 | 1625-6R2 |

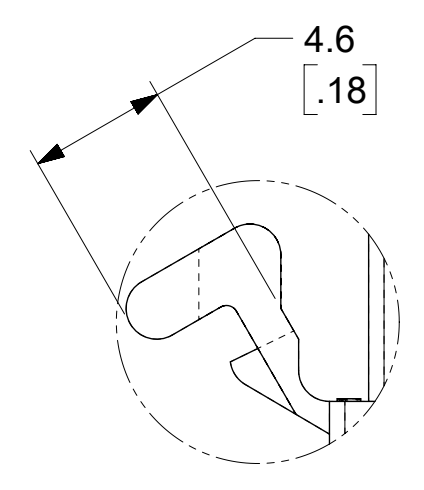
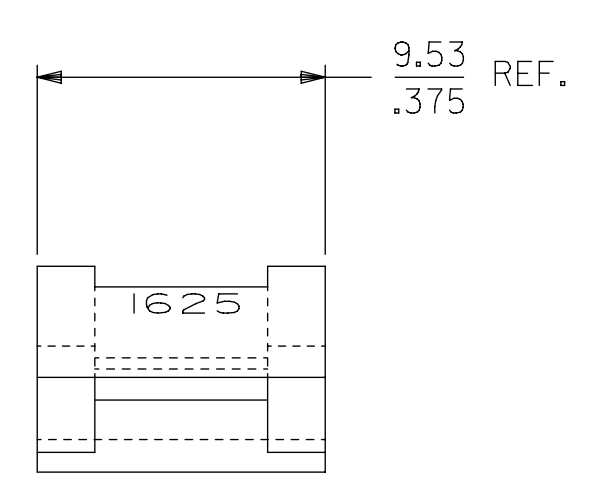


| HOUSING | DIM. "A" | DIM. "B" | "C" PREBENT EAR | "C" STANDARD EAR |
|------------|----------------|----------------|-----------------|------------------|
| PLUG | 15.42 / [.607] | 15.62 / [.615] | 5.6 / [.22] | 4.6 / [.18] |
| RECEPTACLE | 12.83 / [.505] | 14.02 / [.552] | 5.8 / [.23] | 4.8 / [.19] |

LEGEND:
1625-6****

CIRCUIT SIZE
P = PLUG
R = RECEPTACLE
1 = WITHOUT EARS
2 = WITH PREBENT EARS

COLOR:
BLANK = NATURAL COLOR
BK = BLACK



DETAIL B
SCALE 4:1

- NOTES:
1. MATERIAL NYLON TYPE 6/6, 94-2.
2. FINISH: NONE.
3. PRODUCT SPECS: MOLEX PRODUCT SPECS 02-06 APPLIES.
4. PACKAGING SPECS: BULK PACK PK-1625-003.
5. PARTS CONFORM TO CLASS B REQUIREMENTS OF COSMETIC SPECIFICATION PS-45499-002.

| | | | | | | | | | | | |
|---|--|---------------------------------------|--|--|--|--|--|---------------------------|--|--|--|
| THIS DRAWING CONTAINS INFORMATION THAT IS PROPRIETARY TO MOLEX ELECTRONIC TECHNOLOGIES, LLC AND SHOULD NOT BE USED WITHOUT WRITTEN PERMISSION | | | | | | | | | | | |
| QUALITY SYMBOLS ▽ = 0 ▽ = 0 ▽ = 0 ▼ = 0 ▽ = 0 ☒ = 0 ■ = 0 ▽ = 0 | REMOVE STANDARD EAR EC NO: 167621 DRWN: MKIPPER CHKD: JBELL REV APPR: FSMITH | GENERAL TOLERANCES (UNLESS SPECIFIED) | | DIMENSION UNITS MM/IN | | SCALE 1:1 | | | | | |
| | | | | DRWN BY BAPPELDORN | | DATE 2016/07/13 | | | | | |
| | | 4 PLACES ± ± | | 3 PLACES ± ± 0.005 | | CHK'D BY MKIPPER | | DATE 2016/07/13 | | .062/(1.57) HSG PLUG & RECEPTACLE 6 CKT .145/(3.683) C.L. | |
| | | 2 PLACES ± 0.13 ± 0.01 | | 1 PLACES ± 0.25 ± | | APPR BY FSMITH | | DATE 2016/07/13 | | | |
| | | 0 PLACES ± ± | | ANGULAR TOL = 0.5 | | DRAWING SIZE C | | THIRD ANGLE PROJECTION | | | |
| DRAFT WHERE APPLICABLE MUST REMAIN WITHIN DIMENSIONS | | | | | | | | PRODUCT CUSTOMER DRAWING | | | |
| RELEASE STATUS P1 RELEASE DATE 2018/01/24 23:47:48 | | | | SERIES MATERIAL NUMBER CUSTOMER 1625 SEE CHART GENERAL MARKET | | DOCUMENT NUMBER DOC TYPE DOC PART SHEET NUMBER 16250600-SD PSD 000 2 OF 2 | | | | | |